

BUTTERFLY VALVE TYPE 58 (GEAR TYPE)

FEATURES

- Lighter weight improves workability.
- Face-To-Face dimension compliant with ISO short standard (ISO 5752).
- Extended the disc and seat variation ensure excellent corrosion resistance.

BASIC SPECIFICATIONS

- Valve Type : Butterfly Valve Type 58
- Size Range : 700 mm (28 inch) – 900 mm (36 inch)
- Body Material : PDCPD
- Seat Material : EPDM
- Disc Material : PP
- Connection (Wafer) : JIS B2220 10K, DIN/EN1092-1 PN10, ANSI B16.47 CLASS150 SERIES A



MATERIAL (BODY)	NOMINAL SIZE	FLUID TEMPERATURE °C {°F}	MAXIMUM WORKING PRESSURE at 20°C MPa [bar] {psi}	DESIGN PRESSURE at 20°C MPa [bar] {psi}
PDCPD	700 mm (28")	0 ~ 80 {30 ~ 175}	0.75 [7.5] {110}	1.3 [13] {185}
	800 mm (32")		0.5 [5] {70}	1.3 [13] {185}
	900 mm (36")			

Note: The maximum working pressure is the value including the water hammer pressure.

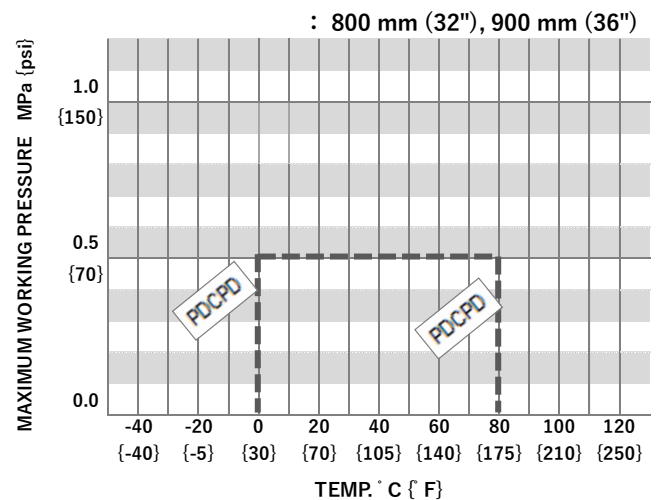
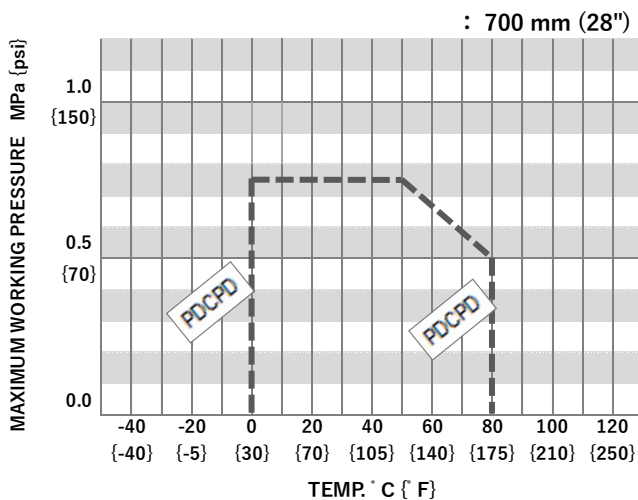
Be careful that the maximum working pressure is not exceeded during use.

* Concerning the allowable pressure for each temperature and material, see the technical documents at the next page of this sheet.

CERTIFICATE / APPROVAL

PED “For details of applicable products, please consult us.”

MAXIMUM WORKING PRESSURE VS. TEMPERATURE

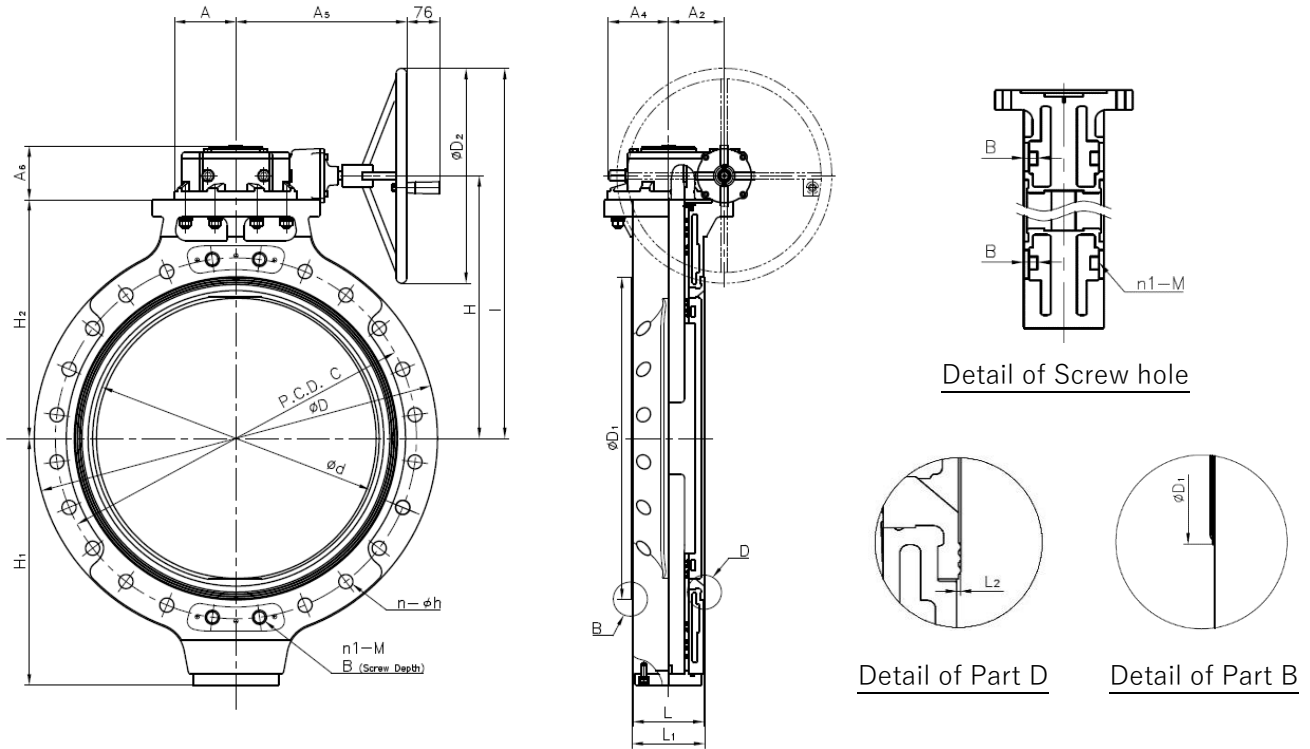


Note: Make sure that the temperature and pressure are within the working range during operation.

(If the tolerance range is exceeded during use, the valve may be damaged.)

PRODUCT DIMENSION

[GEAR TYPE] 700 mm (28") – 900 mm (36")



mm	inch	d	D	D1	D2	L	L1	L2	H	I	H1	H2	A	A2	A4	A5	A6
700	28	670	938	750	500	165	169	2	611	861	574	555	142.5	130	140	397.5	125
800	32	778	1060	869	600	190	198	4	683	983	639	620	146.5	140	153	430	134
900	36	888	1178	979	600	203	211	4	768	1068	724	705	146.5	140	153	430	134

JIS 10K								DIN PN10							
C	h	N Number of Bolt Holes	n Through hole	n1 screw holes		M	B	C	h	N Number of Bolt Holes	n Through hole	n1 screw holes		M	B
				/side	/total							/side	/total		
840	33	24	20	4	8	M30	28	840	30	24	20	4	8	M27	28
950	33	28	24	4	8	M30	30	950	33	24	20	4	8	M30	30
1050	33	28	24	4	8	M30	30	1050	33	28	24	4	8	M30	30

■ ANSI (Unit: inch)

inch	mm	d	D	D1	D2	L	L1	L2	H	I	H1	H2	A	A2	A4	A5	A6
28	700	26.38	36.93	29.53	19.69	6.50	6.65	0.08	24.06	33.90	22.60	21.85	5.61	5.12	5.51	15.65	4.92
32	800	30.63	41.73	34.21	23.62	7.48	7.80	0.16	26.89	38.70	25.16	24.41	5.77	5.51	6.02	16.93	5.28
36	900	34.96	46.38	38.54	23.62	7.99	8.31	0.16	30.24	42.05	28.50	27.76	5.77	5.51	6.02	16.93	5.28

ANSI Class 150							
C	h	N Number of Bolt Holes	n Through hole	n1 screw holes		M	B
				/side	/total		
34.00	1.38	28	24	4	8	1 1/4-7 UNC	1.10
38.50	1.62	28	24	4	8	1 1/2-6 UNC	1.18
42.80	1.62	32	28	4	8	1 1/2-6 UNC	1.18

■ JIS, DIN, ANSI

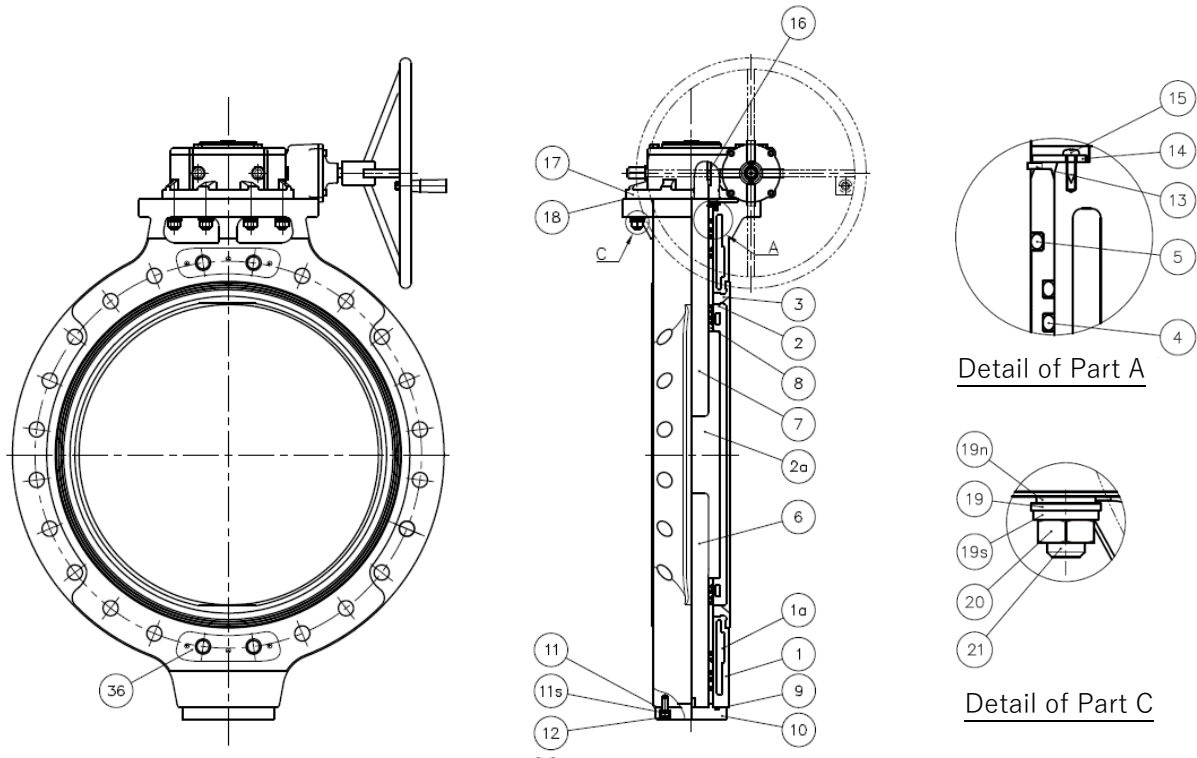
mm	inch	Number of handle rotation	GEAR BOX Model No.
700	28	55	AB1950N PR4
800	32	87	AB3000N PR6
900	36	87	AB3000N PR6

Note: Dimensions "L" is equivalent to ISO 5752 flangeless (wafer) short.

The shape and appearance of assembly differ a little with nominal size compared to this drawing.

PARTS LIST

[GEAR TYPE] 700 mm (28") – 900 mm (36")



700 mm (28")

PART NO./NAME	QTY	MATERIAL	PART NO./NAME	QTY	MATERIAL	PART NO./NAME	QTY	MATERIAL
1 BODY	1	PDCPD	6 STEM (B)	1	STAINLESS STEEL	15 SCREW	4	STAINLESS STEEL
1a INSERTED METAL OF BODY	2	STEEL CASTING STAINLESS	7 STEM (A)	1	STAINLESS STEEL	16 KEY	1	CARBON STEEL
2 DISC	1	PP	8 BUSH	2	PP	17 GEAR BOX	1	CAST IRON etc. (Polyurethane Coat.)
2a INSERTED METAL OF DISC	1	AC4C	10 STEM HOLDER (B)	1	ABS	19n NORD-LOCK WASHER	8	STAINLESS STEEL
3 SEAT	1	EPDM	11 WASHER (A)	4	STAINLESS STEEL	19 WASHER (B)	8	STAINLESS STEEL
4 O-RING (A)	16	EPDM	11s SPRING WASHER (No.11)	4	STAINLESS STEEL	19s SPRING WASHER	8	STAINLESS STEEL
5 O-RING (B)	1	EPDM	12 BOLT (A)	4	STAINLESS STEEL	20 NUT	8	STAINLESS STEEL
9 O-RING (C)	1	EPDM	13 RETAINING RING C-TYPE	1	STAINLESS STEEL	21 BOLT (B)	8	STAINLESS STEEL Attachment : Collar
18 GASKET	1	EPDM	14 STEM HOLDER (A)	1	ABS	36 COVER PLATE	4	ABS

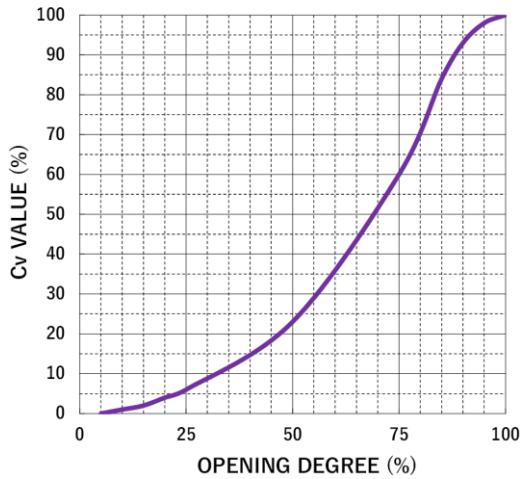
800 mm (32"), 900 mm (36")

PART NO./NAME	QTY	MATERIAL	PART NO./NAME	QTY	MATERIAL	PART NO./NAME	QTY	MATERIAL
1 BODY	1	PDCPD	6 STEM (B)	1	STAINLESS STEEL	15 SCREW	4	STAINLESS STEEL
1a INSERTED METAL OF BODY	2	STEEL CASTING STAINLESS	7 STEM (A)	1	STAINLESS STEEL	16 KEY	1	CARBON STEEL
2 DISC	1	PP	8 BUSH	2	PP	17 GEAR BOX	1	CAST IRON etc. (Polyurethane Coat.)
2a INSERTED METAL OF DISC	1	AC4C	10 STEM HOLDER (B)	1	ABS	19n NORD-LOCK WASHER	8	STAINLESS STEEL
3 SEAT	1	EPDM	11 WASHER (A)	6	STAINLESS STEEL	19 WASHER (B)	8	STAINLESS STEEL
4 O-RING (A)	14	EPDM	11s SPRING WASHER (No.11)	6	STAINLESS STEEL	19s SPRING WASHER	8	STAINLESS STEEL
5 O-RING (B)	1	EPDM	12 BOLT (A)	6	STAINLESS STEEL	20 NUT	8	STAINLESS STEEL
9 O-RING (C)	1	EPDM	13 RETAINING RING C-TYPE	1	STAINLESS STEEL	21 BOLT (B)	8	STAINLESS STEEL Attachment : Collar
18 GASKET	1	EPDM	14 STEM HOLDER (A)	1	ABS	36 COVER PLATE	4	ABS

Cv VALUE FOR EACH OPENING DEGREE

NOMINAL SIZE	mm	700	800	900
	inch	28	32	36
BUTTERFLY VALVE TYPE 58		35,320	43,530	64,630

Note: The values shown are reference values, not guaranteed values.



HANDLE ROTATION [FULL OPEN TO FULL CLOSE]

NOMINAL SIZE	mm	700	800	900
	inch	28	32	36
Number of Handle Rotation		55	87	87

OPERATING TORQUE

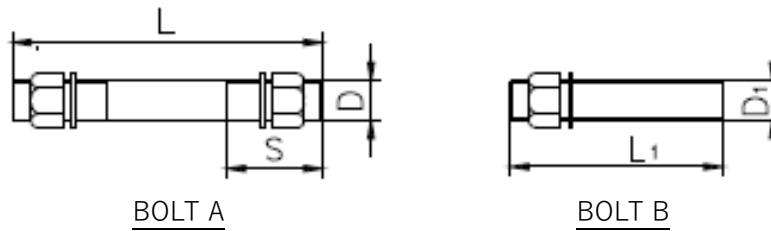
UNIT : N · m

NOMINAL SIZE	mm	700	800	900
	inch	28	32	36
Operating Torque (O→S)		3,600 [55]	6,000 [91]	6,000 [91]

Note: [] value is gear handle torque.

The values shown are reference values, not guaranteed values.

DIMENSION OF BOLT LENGTH (REFERENCE: RECOMMENDED DATA)



■ JIS 10K

UNIT : mm

mm	inch	BOLT A			BOLT B		QTY		
		d	L	S	d1	L1	BOLT A	BOLT B	NUT / WASHER
700	28	M30	320	66	M30	105	20	8	48
800	32	M30	340	66	M30	115	24	8	56
900	36	M30	360	66	M30	115	24	8	56

■ ANSI

UNIT : inch

mm	inch	BOLT A			BOLT B		QTY		
		d	L	S	d1	L1	BOLT A	BOLT B	NUT / WASHER
700	28	1 1/4 - 7 UNC	16.14	2.60	1 1/4 - 7 UNC	5.91	24	8	56
800	32	1 1/2 - 6 UNC	18.50	2.60	1 1/2 - 6 UNC	7.09	24	8	56
900	36	1 1/2 - 6 UNC	19.69	2.60	1 1/2 - 6 UNC	7.48	28	8	64

■ DIN

UNIT : mm

mm	inch	BOLT A			BOLT B		QTY		
		d	L	S	d1	L1	BOLT A	BOLT B	NUT / WASHER
700	28	M30	310	66	M30	100	20	8	48
800	32	M30	330	66	M30	110	20	8	48
900	36	M30	350	66	M30	110	24	8	56

Note: The bolt dimension when a JIS B 2238 "steel pipe flange" (nominal pressure 10K, corrugated) is used.
 The quantity of nuts and washers for Bolt A indicates the number of 2 sets (1 bolt / 2 nuts, 2 washers).
 The quantity for Bolt B indicate the number of 1 set (1 bolt / 1 nut, 1 washer).

PRODUCT WEIGHT LIST (REFERENCE)

Unit: kg

NOMINAL SIZE	mm	700	800	900
	inch	28	32	36
DISC MATERIAL	PP	208	290	367

PRODUCT MODEL CODE LIST

ACTUATION	TYPE	OPERATING SYSTEM	BODY MATERIAL	SEAL MATERIAL	CONNECTION	STANDARD	SIZE
V	58	SG	D	*	W	*	* * *
: V MANUAL VALVE	: 58 TYPE 58	: SG GEAR TYPE	: D PDCPD	: E EPDM	: W WAFER	: 1 JIS 10K D DIN A ANSI	: 700 700mm 800 800mm 900 900mm

INSTALLATION, OPERATION AND MAINTENANCE MANUAL

"For details of Installation, Operation and Maintenance, please contact our nearest distribution agent or sales office.

Note: Information in this manual is subject to change without notice.